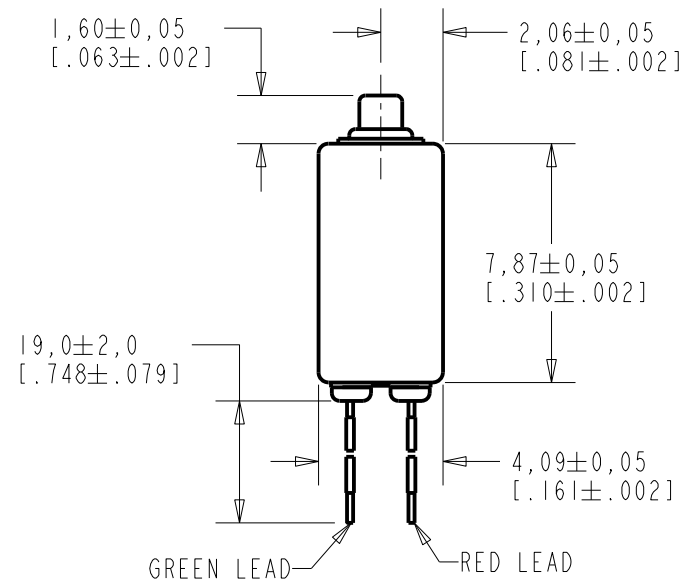
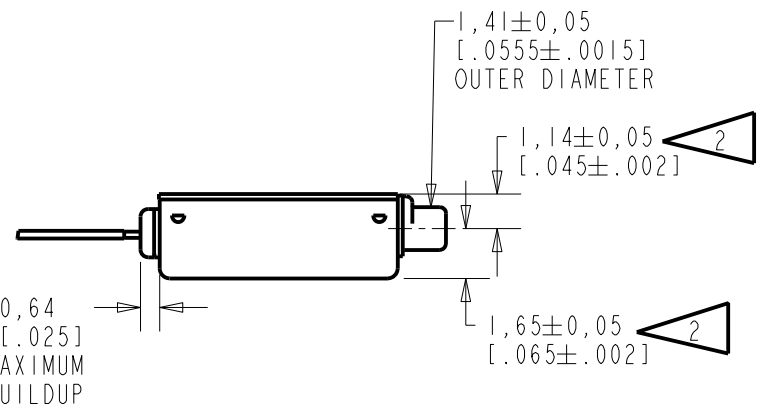
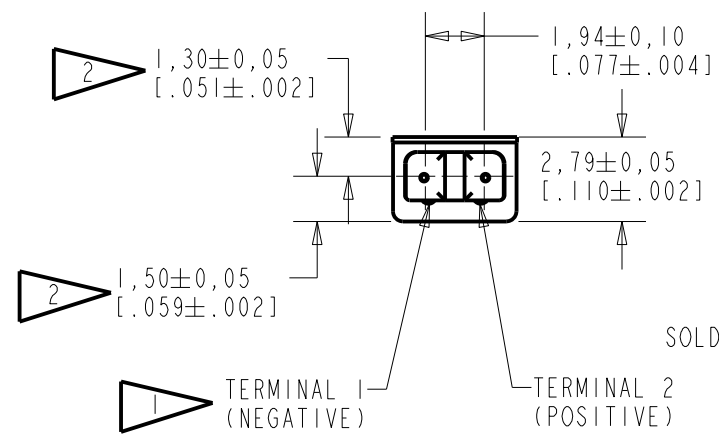
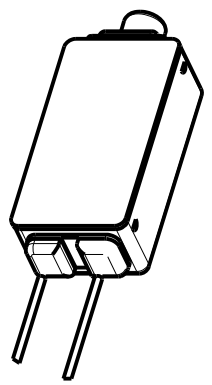


TEC-30033-B22
SHT 1.1



- NOTES:
- 1 A POSITIVE GOING VOLTAGE AT TERMINAL 2, RELATIVE TO TERMINAL 1, CAUSES A DECREASE IN PRESSURE AT THE SOUND OUTLET.
 - 2 LOCATED FROM TWO SURFACES FOR CUSTOMER CONVENIENCE. ONLY APPLICABLE FROM ONE SURFACE, NOT TO BE USED TOGETHER. HORIZONTAL LOCATION FOR TERMINAL CENTERED TO ±0,17 [.007].



NOMINAL WEIGHT
.35 GRAM

DIMENSIONS IN MILLIMETERS [INCHES]

Revision	C.O. #	Implementation Date	RELEASE LEVEL	REVISION
B	C40100659	5-10-11	Active	B
A	C10109470	3-20-09		

KNOWLES ELECTRONICS
ITASCA, ILLINOIS U.S.A.

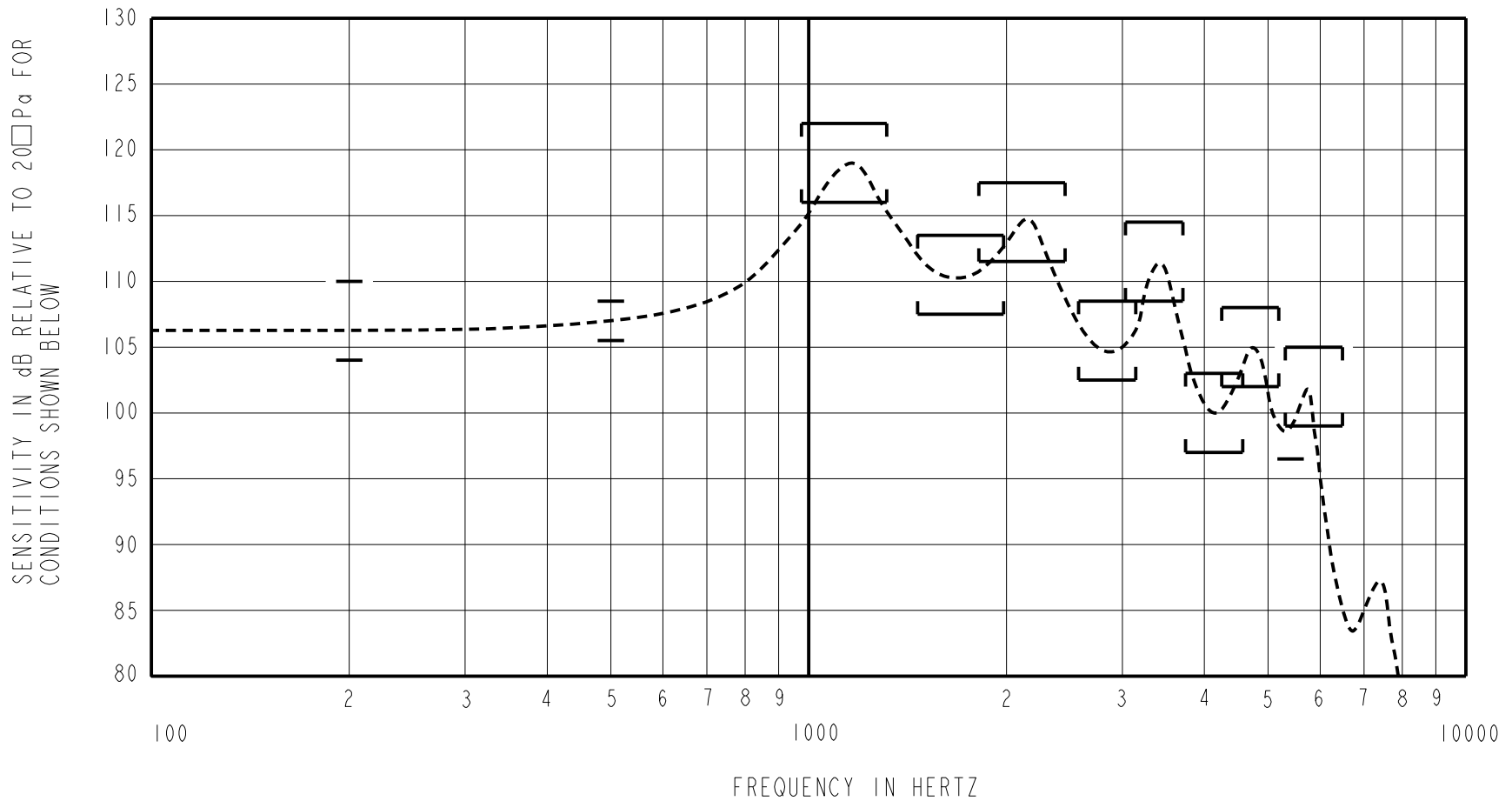
SCALE: 4:1	DR. BY DATE
DO NOT SCALE DRAWING	SDZ 3-20-09
TITLE: RECEIVER	CK. BY DATE
TEC-30033-B22	GJP 3-23-09
OUTLINE DRAWING	APP. BY DATE
SHT 1.1	GJP 3-29-09

THIS UNIT IS A BALANCED ARMATURE RECEIVER WITH WIRE LEADS ADDED INTENDED FOR USE IN BTE HEARING AIDS, AND IS 1/2 THE SIZE OF AN EF RECEIVER.

NO DAMPING

TEC-30033-B22
SHEET 2.1

CONSTANT VOLTAGE DRIVE CONDITIONS



ACOUSTICAL

SENSITIVITY DEVICE WILL PRODUCE THE SPL LISTED BELOW UNDER TEST CONDITIONS DESCRIBED IN TABLE 3. NOMINAL SENSITIVITY AT 500 Hz IS dB RELATIVE TO 20 Pa. ALL OTHER VALUES IN dB RELATIVE TO THE SENSITIVITY AT 500 Hz.

FREQUENCY (Hz)	MINIMUM	NOMINAL	MAXIMUM
200	-3.0	0.0	+3.0
500	-1.5	107.0	+1.5
975-1315	+9.0	+12.0	+15.0
1465-1980	+0.5	+3.5	+6.5
1815-2455	+4.5	+7.5	+10.5
2575-3145	-4.5	-1.5	+1.5
3035-3710	+1.5	+4.5	+7.5
3745-4575	-10.0	-7.0	-4.0
4250-5190	-5.0	-2.0	+1.0
5412	-10.5	---	---
5310-6490	-8.0	-5.0	-2.0

TABLE 1

TOTAL HARMONIC DISTORTION DEVICE WILL NOT EXCEED TOTAL HARMONIC DISTORTION LEVELS LISTED BELOW.

FREQUENCY (Hz)	AC DRIVE (V rms)	DC BIAS (mA)	LIMIT (%)
382	0.109	0	5
573	0.109	0	5
573	0.218	0	10

TABLE 2

TEST CONDITIONS

NOMINAL SOURCE VOLTAGE	0.109 V rms, TO DELIVER 0.35 mVA AT 500 Hz
SOURCE IMPEDANCE	<1 Ohm
TUBING	8mm X 1mm ID + 28mm X 1.5mm ID EAR HOOK SIMULATOR + 25mm X 2mm ID TUBE + 18mm X 3mm ID TUBE
COUPLER CAVITY	2 cm ³ , SIMULATED ANSI S3.7 TYPE HA-3 (IEC 60318-5)

TABLE 3

ELECTRICAL

DC RESISTANCE	22 OHMS ± 10%
IMPEDANCE @ 500 Hz	31 OHMS ± 15%
INDUCTANCE @ 500 Hz	7.2 mH TYPICAL
CAPACITANCE @ 10 MHz	9.0 pF TYPICAL

TABLE 4

ISOLATION: CASE WILL BE ELECTRICALLY ISOLATED FROM THE COIL CIRCUIT.

MECHANICAL

PORT LOCATION: 12C

SOLDER TYPE: SAC305

TEMPERATURE

OPERATING: SENSITIVITY WILL NOT VARY MORE THAN +1/-3 dB FROM -17°C TO 63°C

STORAGE: -40°C TO 63°C

KNOWLES ELECTRONICS
ITASCA, ILLINOIS U.S.A.

Revision	C.O. #	Implementation Date	RELEASE LEVEL	REVISION
B	C40100659	5-10-11	Active	B
A	C10109470	3-20-09		
WHEN TEST LIMITS ARE USED TO ESTABLISH INCOMING INSPECTION ACCEPTANCE/REJECTION CRITERIA, CORRELATION OF TEST EQUIPMENT WITH KNOWLES IS ALSO REQUIRED FOR ELIMINATION OF EQUIPMENT AND TEST METHOD VARIATION			DR. BY	DATE
TITLE: RECEIVER PERFORMANCE SPECIFICATION			SDZ	3-20-09
			TEC-30033-B22	
SHT 2.1			GJP	3-23-09
			APP. BY	DATE
			GJP	3-29-09